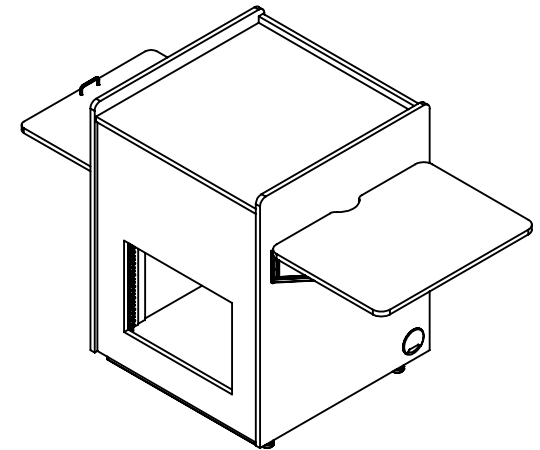
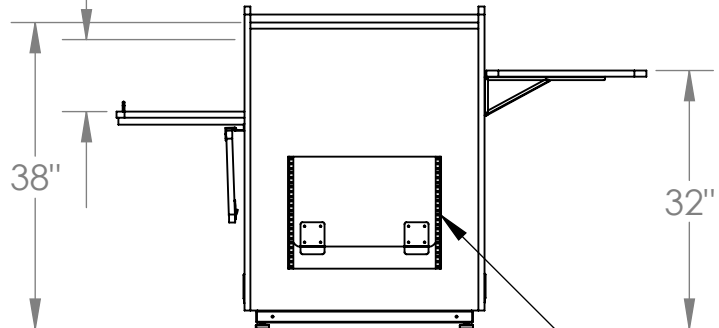


DOCUMENT CAMERA DRAWER

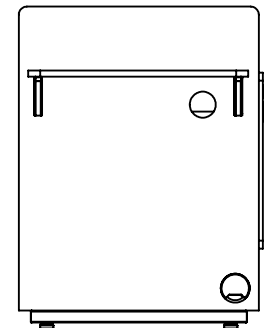
FLIP UP SIDE SHELF
OPTIONAL



9"
CLEAR



8U RACK RAILS



PULL OUT SHELF USABLE DIMENSIONS
23 1/2"W X 18"D X 9"H

PROPRIETARY AND CONFIDENTIAL

THE INFORMATION CONTAINED IN THIS DRAWING IS THE SOLE PROPERTY OF COMPUTER COMFORTS INC. ANY REPRODUCTION IN PART OR AS A WHOLE WITHOUT THE WRITTEN PERMISSION OF COMPUTER COMFORTS INC. IS PROHIBITED.



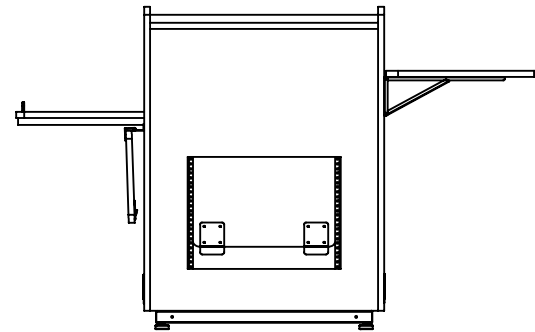
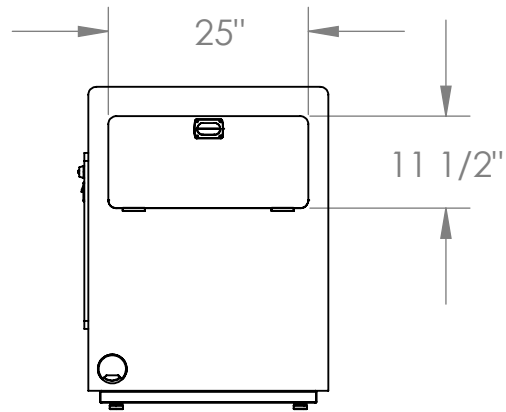
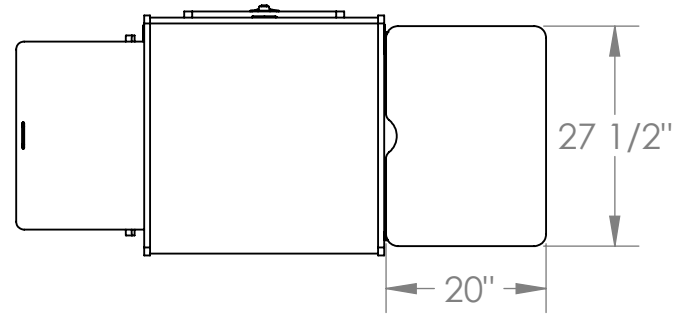
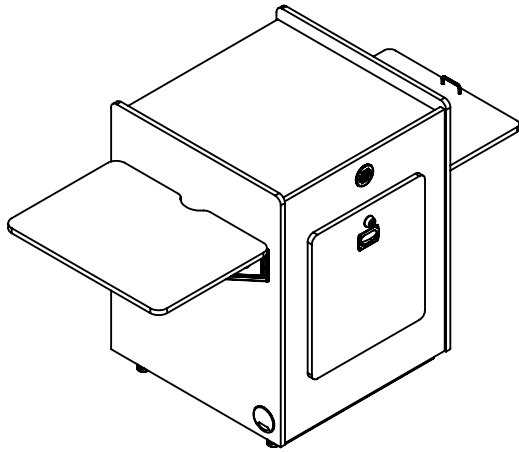
COMPUTER COMFORTS INC.

367 COLUMBIA
MEMORIAL PKWY.
KEMAH, TX 77565
281-535-2288

DRAWN BY **SAB**
DATE **2-12-15**
DO NOT SCALE DRAWING

DIMENSIONS ARE IN INCHES
TOLERANCES:
FRACTIONAL ± 1/32
ANGULAR: BEND ± 1°
ONE PLACE DECIMAL ± .02
TWO PLACE DECIMAL ± .01
THREE PLACE DECIMAL ± .005

PART DESCRIPTION
ULS-1-DRWR-L
PART#



PROPRIETARY AND CONFIDENTIAL

THE INFORMATION CONTAINED IN THIS DRAWING IS THE SOLE PROPERTY OF COMPUTER COMFORTS INC. ANY REPRODUCTION IN PART OR AS A WHOLE WITHOUT THE WRITTEN PERMISSION OF COMPUTER COMFORTS INC. IS PROHIBITED.



COMPUTER COMFORTS INC.

367 COLUMBIA
MEMORIAL PKWY.
KEMAH, TX 77565
281-535-2288

DRAWN BY **SAB**
DATE **2-12-15**
DO NOT SCALE DRAWING

DIMENSIONS ARE IN INCHES
TOLERANCES:
FRACTIONAL $\pm 1/32$
ANGULAR: BEND $\pm 1^\circ$
ONE PLACE DECIMAL $\pm .02$
TWO PLACE DECIMAL $\pm .01$
THREE PLACE DECIMAL $\pm .005$

PART DESCRIPTION
ULS-1-DRWR-L
PART#