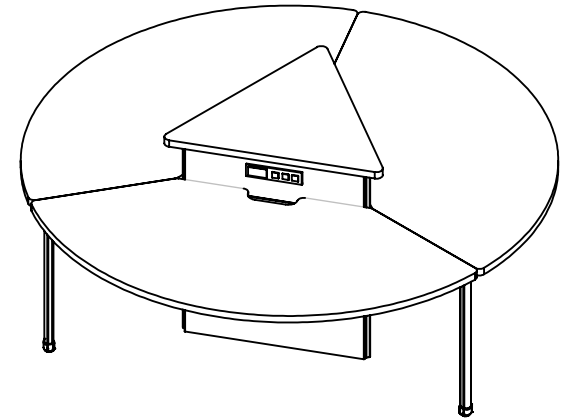
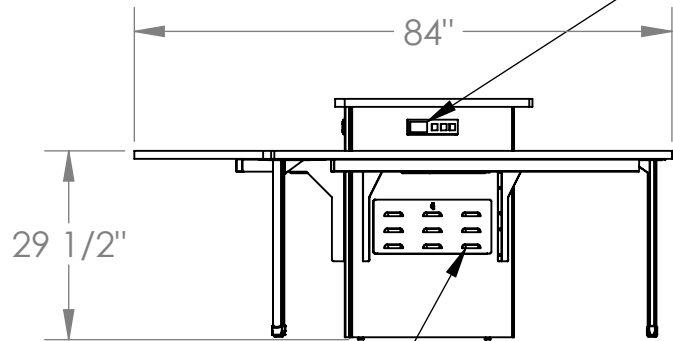


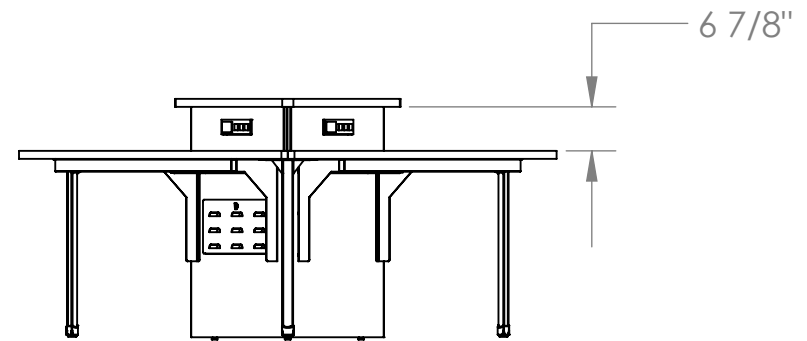
TABLETOP NOTCH +
CABLE/POWER TRANSFORMER STORAGE BASKET



POWER/DATA OPTIONAL



REMOVABLE
ACCESS PANEL



PROPRIETARY AND CONFIDENTIAL

THE INFORMATION CONTAINED IN THIS DRAWING IS THE SOLE PROPERTY OF COMPUTER COMFORTS INC. ANY REPRODUCTION IN PART OR AS A WHOLE WITHOUT THE WRITTEN PERMISSION OF COMPUTER COMFORTS INC. IS PROHIBITED.



COMPUTER COMFORTS INC.

367 COLUMBIA
MEMORIAL PKWY.
KEMAH, TX 77565
281-535-2288

DRAWN BY **SAB**
DATE **5-8-14**
DO NOT SCALE DRAWING

DIMENSIONS ARE IN INCHES
TOLERANCES:
FRACTIONAL $\pm 1/32$
ANGULAR: BEND $\pm 1^\circ$
ONE PLACE DECIMAL $\pm .02$
TWO PLACE DECIMAL $\pm .01$
THREE PLACE DECIMAL $\pm .005$

PART DESCRIPTION
ALC-84
PART#